



1 COCHRANE AVE. PENNSBORO, WV 26415  
PH. 800-426-2249

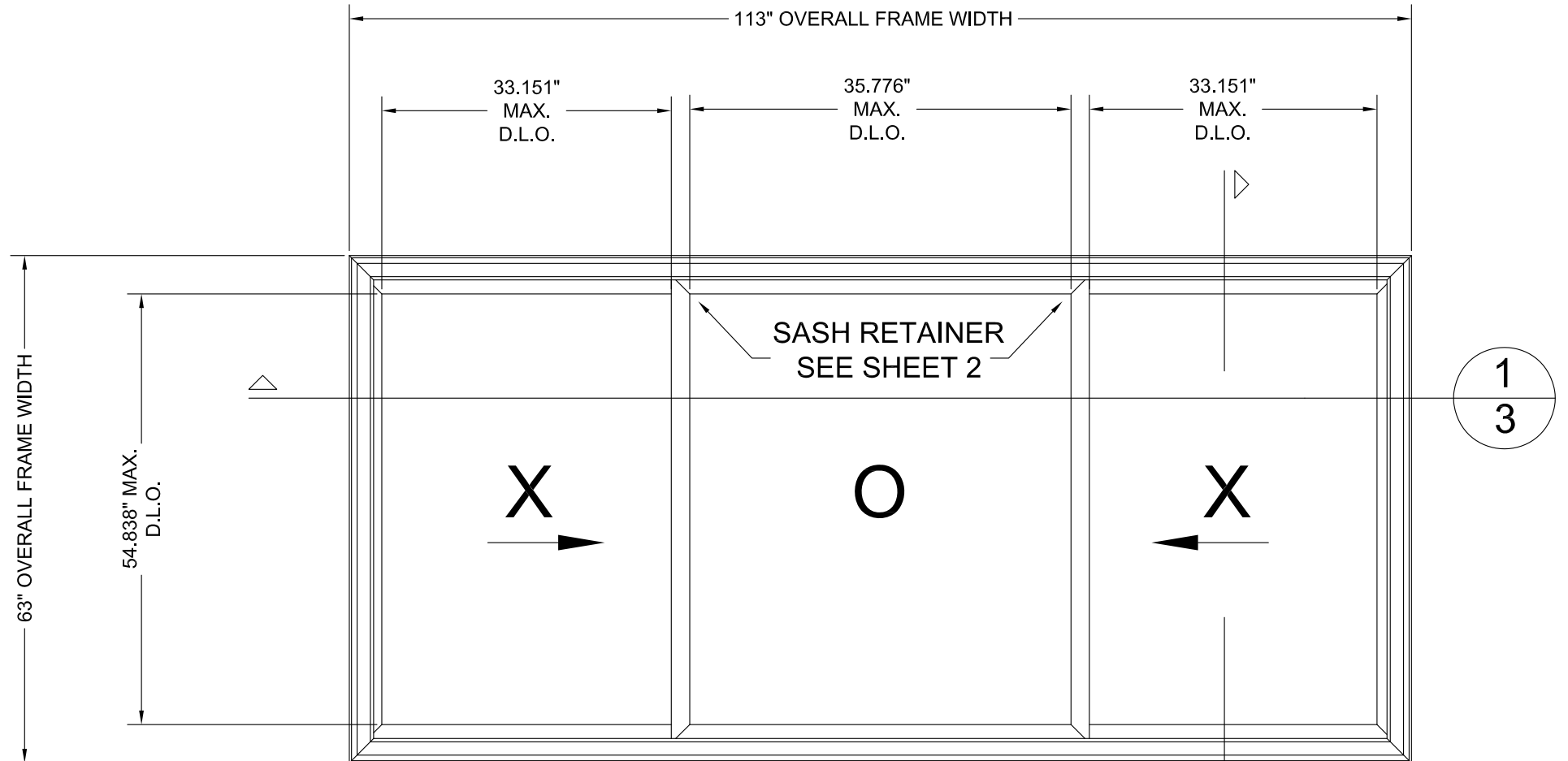
07-09 / 07-10

**STORMBREAKER PLUS 300VL  
IMPACT RESISTANT VINYL  
HORIZONTAL 3-LITE SLIDING WINDOW**

REV. #:	REVISIONS:	REVISED BY:	DATE:
1	UPDATED FOR 7TH ED. (2020) FBC	LMH	11/05/2020
2	UPDATED FOR 8TH ED. (2023) FBC	LMH	12/04/2023
.	.	.	.
.	.	.	.
.	.	.	.

**GENERAL NOTES:**

1. THIS WINDOW SYSTEM IS DESIGNED TO COMPLY WITH THE 8TH EDITION (2023) FLORIDA BUILDING CODE, INCLUDING HVHZ, AND WAS TESTED USING METHODS TAS 201, TAS 202, AND TAS 203.
2. HIGH QUALITY CAULK SHALL BE USED AROUND THE ENTIRE WINDOW PERIMETER, INSIDE AND OUT. EXTERIOR CAULKING SHALL BE CAP BEAD FOR EQUAL LEG FRAMES, OR BEHIND FINS/FLANGES FOR THOSE FRAME TYPES.
3. THE CONTRACTOR IS RESPONSIBLE FOR MAINTAINING WINDOW OPENING AND ALL WOOD FRAMING AROUND THE WINDOW.
4. WOOD BUCKS, BY OTHERS, MUST SUSTAIN ALL IMPOSED LOADS AND MUST BE PROPERLY ANCHORED TO TRANSFER LOADS TO THE STRUCTURE AND SHALL BE INSPECTED BY A BUILDING OFFICIAL. WOOD BUCK MIN. G = 0.42.
5. FOR INSTALLATION INTO CONCRETE/MASONRY, USE ITW/BUILDEX TAPCONS WITH ADVANCED THREADFORM TECHNOLOGY. ANCHORS MUST NOT BE INSTALLED INTO MORTAR JOINTS. ANCHOR SPACING SHOULD BE REDUCED AS NEEDED SO THAT THE ANCHOR IS AT LEAST 2" FROM MORTAR JOINTS. MAINTAIN 3" MIN. SPACING BETWEEN ANY TWO TAPCONS. CONCRETE/MASONRY SUBSTRATES SHALL CONSIST OF NON-CRACKED SOLID CONCRETE (2000 PSI MIN. COMPRESSIVE STRENGTH) OR GROUT-FILLED CMU (117 PCF MIN. DENSITY).
6. SHIMS MUST BE USED WHEN GAP OF GREATER THAN 1/16" BETWEEN FRAME AND OPENING IS PRESENT AT THE ANCHOR LOCATION. MAX. SHIM STACK IS 1/4".
7. ONLY MIAMI-DADE COUNTY APPROVED CORROSION RESISTANT FASTENERS AND ITW TAPCON FASTENERS SHALL BE USED.
8. WINDOW INSTALLERS SHALL FOLLOW ALL MANUFACTURER'S INSTRUCTIONS.
9. NO SHUTTERS OR EXTERNAL PROTECTION DEVICES ARE REQUIRED.
10. GLAZING INDICATED HEREIN COMPLIES WITH ASTM E 1300.



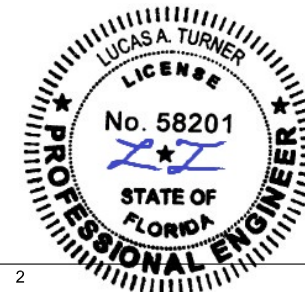
<b>DESIGN PRESSURE RATING</b>	<b>IMPACT RATING</b>
+50.0 PSF -50.0 PSF	LARGE MISSILE

1  
2

**TABLE OF CONTENTS**

SHEET #	DESCRIPTION
1	GENERAL NOTES & TYPICAL ELEVATIONS
2	VERTICAL CROSS SECTIONS - 07-09 RETRO / 07-10 FLANGE
3	HORIZONTAL CROSS SECTIONS - 07-09 / 07-10
4	ANCHORING LOCATIONS & GLAZING DETAILS (RETRO & FLANGE)
5	COMPONENTS & BILL OF MATERIALS

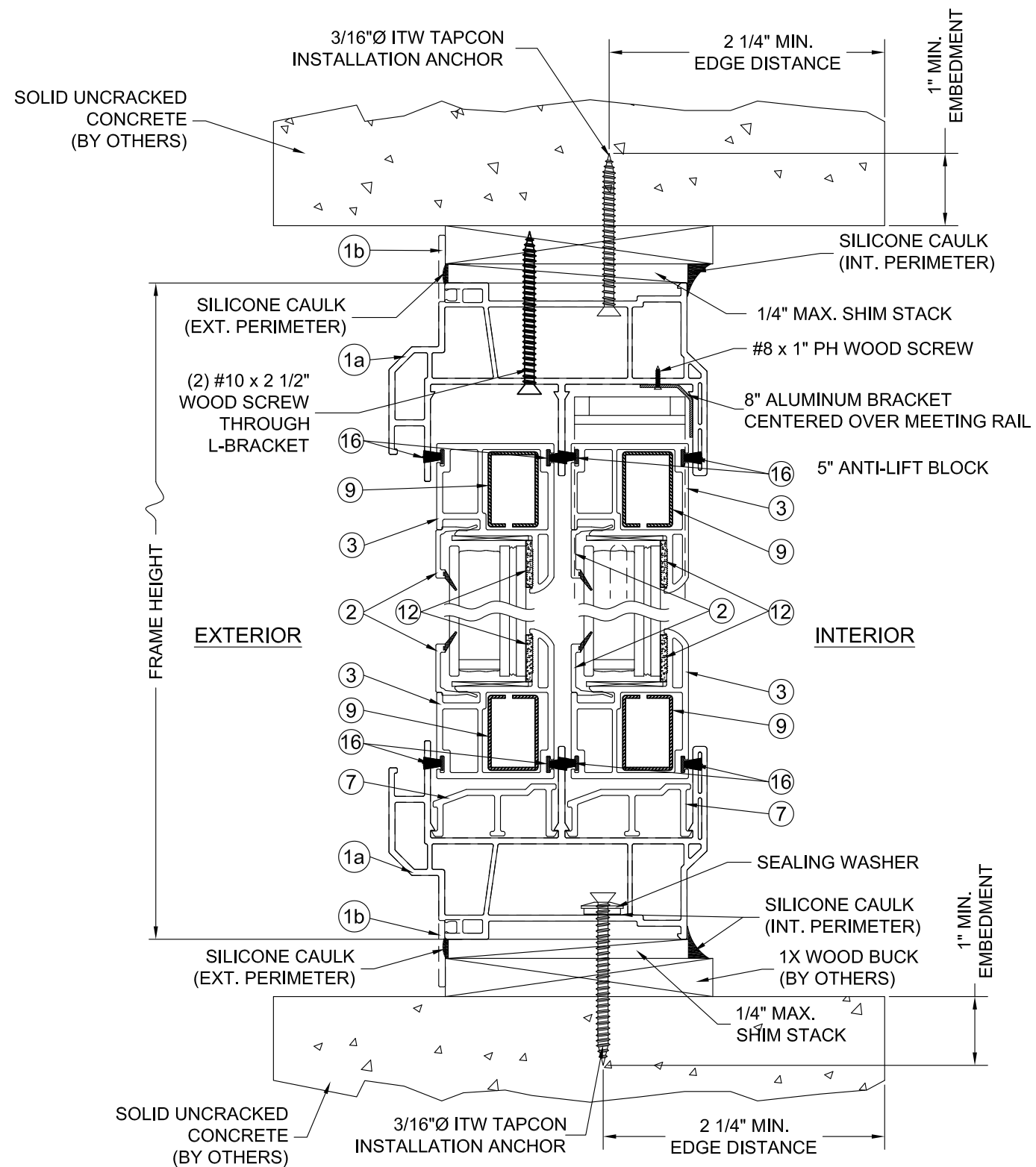
FL 16389



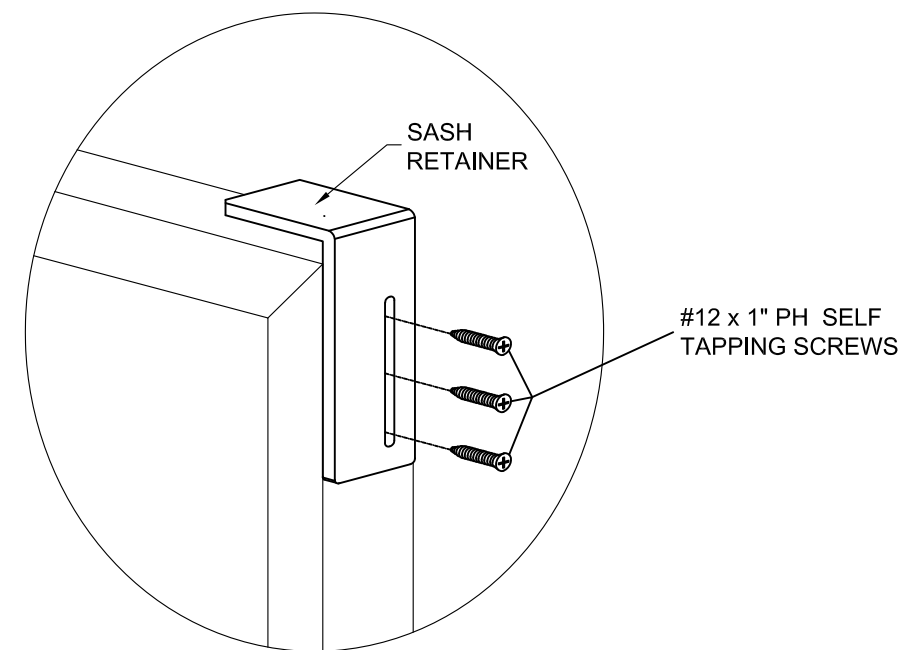
12/04/2023  
LUCAS A. TURNER, P.E.  
FL PE # 58201  
TURNER ENGINEERING & CONSULTING, INC.  
(COA # 29779)  
2428 OLD NATCHEZ TRACE TRAIL, CAMDEN, TN 38320  
PH. 941-380-1574

	SIZE: B	DRAWING NO.: DA0015	REV.: 2
	DRAWN BY: LMH	DATE: 02/01/17	CHECKED BY: DATE:
SCALE: FIT	SHEET: 1 of 5	APPR'V'D BY: DATE:	SERIES: STORMBREAKER PLUS 300VL 3-LITE END VENT SLIDER - 1X
TITLE: GENERAL NOTES & TYPICAL ELEVATIONS			

REV. #:	REVISIONS:	REVISED BY:	DATE:
1	UPDATED FOR 7TH ED. (2020) FBC	LMH	11/05/2020
2	UPDATED FOR 8TH ED. (2023) FBC	LMH	12/04/2023
.	.	.	.
.	.	.	.
.	.	.	.

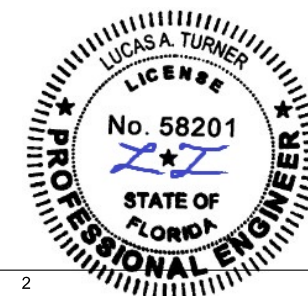


- NOTES:**
1. SHIMS TO BE A "RIGID/STIFF" MATERIAL THAT COMPLIES WITH THE REQUIREMENTS OF THE MIAMI-DADE COUNTY, FL AND FLORIDA BUILDING CODE.
  2. APPLY CAULK AROUND SCREWS AT THE SILL ONLY.
  3. REPLACE ONE L-BRACKET SCREW WITH AN INSTALLATION SCREW. (APPROX. 1 3/4" FROM CENTERLINE) IN HEAD.
  4. CORROSION RESISTANT FASTENERS AND MATERIALS THAT COME INTO CONTACT WITH OTHER DISSIMILAR MATERIALS SHALL MEET THE REQUIREMENTS OF THE FLORIDA BUILDING CODE.



**OPERATING SASH  
SASH RETAINER INSTALLATION**

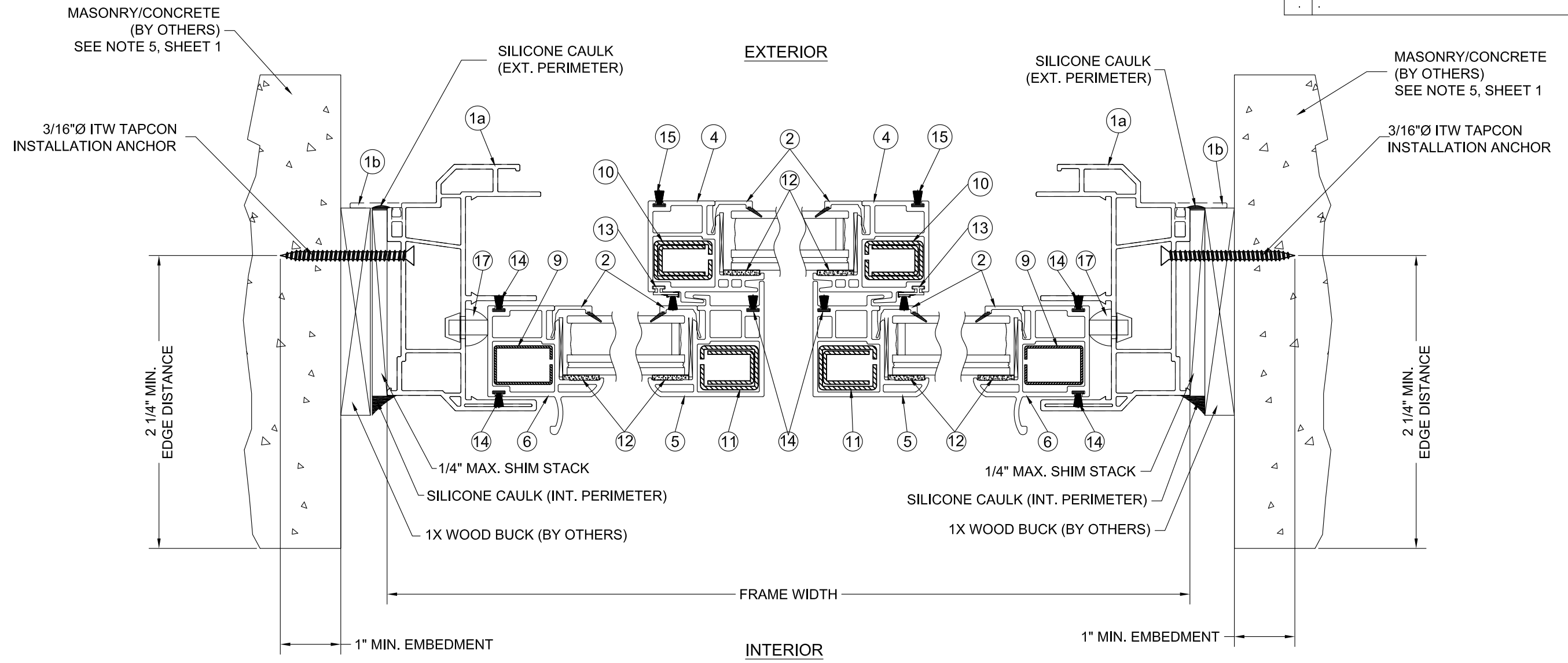
- 1 VERTICAL CROSS SECTION (1X BUCK)
- 2 07-09 RETRO / 07-10 FLANGE INSTALLATION



12/04/2023  
 LUCAS A. TURNER, P.E.  
 FL PE # 58201  
 TURNER ENGINEERING &  
 CONSULTING, INC.  
 (COA # 29779)  
 2428 OLD NATCHEZ TRACE  
 TRAIL, CAMDEN, TN 38320  
 PH. 941-380-1574

	SIZE: DRAWING NO.:	REV.:
	B DA0015	2
1 Cochrane Avenue Pensboro, WV 26415	DRAWN BY:	DATE:
	LMH	02/01/17
SCALE: FIT	CHECKED BY:	DATE:
SHEET: 2 of 5	APPR'V'D BY:	DATE:
SERIES: STORMBREAKER PLUS 300VL 3-LITE END VENT SLIDER - 1X		
TITLE: VERTICAL CROSS SECTIONS - 07-09 RETRO / 07-10 FLANGE		

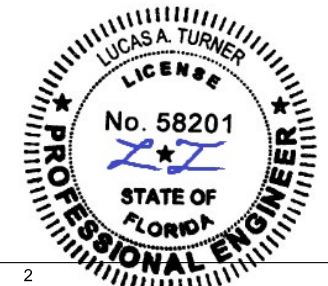
REV. #:	REVISIONS:	REVISED BY:	DATE:
1	UPDATED FOR 7TH ED. (2020) FBC	LMH	11/05/2020
2	UPDATED FOR 8TH ED. (2023) FBC	LMH	12/04/2023
.	.	.	.
.	.	.	.
.	.	.	.



1 HORIZONTAL CROSS SECTION (1X BUCK)  
 3 07-09 RETRO / 07-10 FLANGE INSTALLATION

**NOTES:**

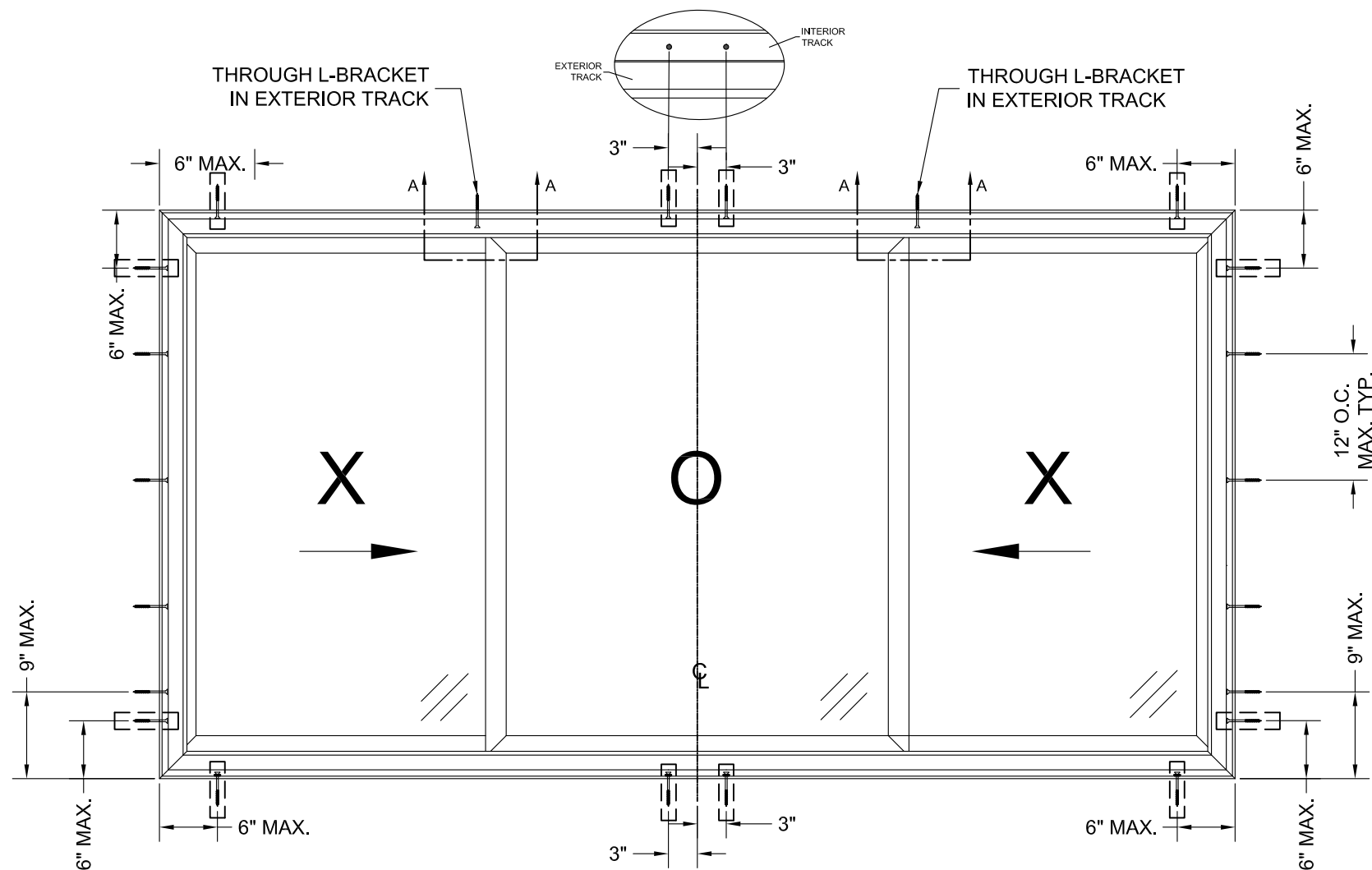
1. SHIMS TO BE A "RIGID/STIFF" MATERIAL THAT COMPLIES WITH THE REQUIREMENTS OF THE MIAMI-DADE COUNTY, FL AND FLORIDA BUILDING CODE.
2. CORROSION RESISTANT FASTENERS AND MATERIALS THAT COME INTO CONTACT WITH OTHER DISSIMILAR MATERIALS SHALL MEET THE REQUIREMENTS OF THE FLORIDA BUILDING CODE.



12/04/2023  
 LUCAS A. TURNER, P.E.  
 FL PE # 58201  
 TURNER ENGINEERING & CONSULTING, INC.  
 (COA # 29779)  
 2428 OLD NATCHEZ TRACE  
 TRAIL, CAMDEN, TN 38320  
 PH. 941-380-1574

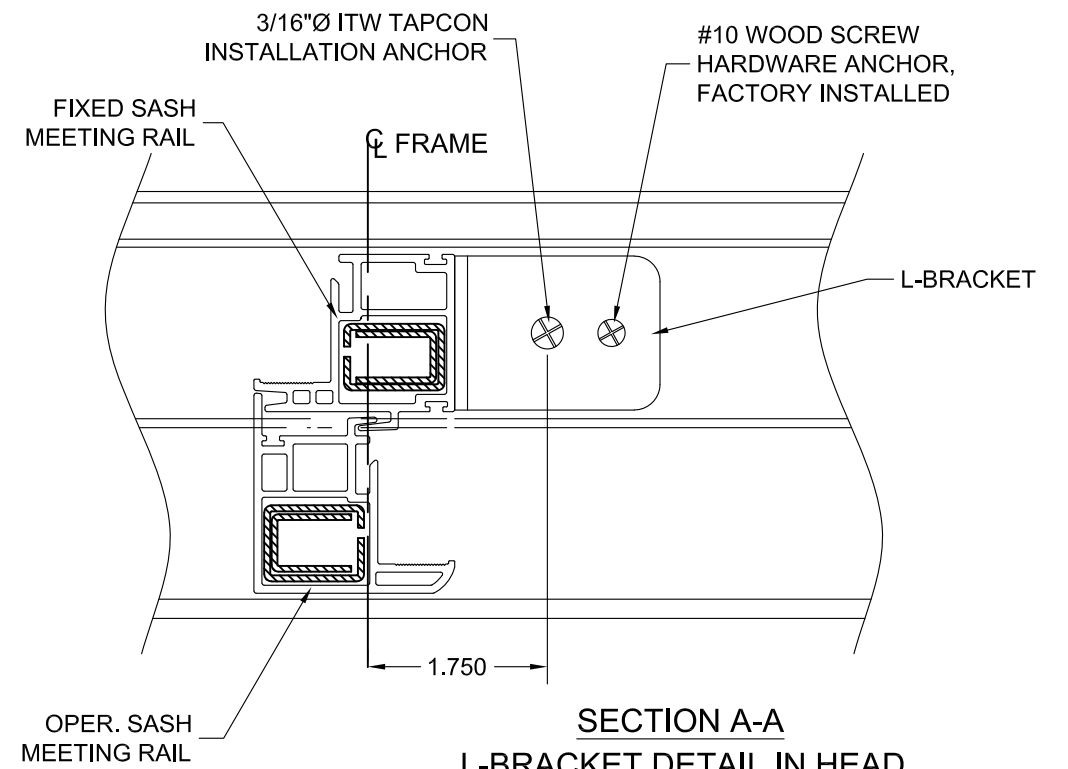
	SIZE: DRAWING NO.:	REV.:
	B DA0015	2
1 Cochrane Avenue Pennsboro, WV 26415	DRAWN BY:	DATE:
	LMH	02/01/017
SCALE: FIT	CHECKED BY:	DATE:
SHEET: 3 of 5	APPRV'D BY:	DATE:
SERIES: STORMBREAKER PLUS 300VL 3-LITE END VENT SLIDER - 1X		
TITLE: HORIZONTAL CROSS SECTIONS - 07-09 RETRO / 07-10 FLANGE		

REV. #:	REVISIONS:	REVISED BY:	DATE:
1	UPDATED FOR 7TH ED. (2020) FBC	LMH	11/05/2020
2	UPDATED FOR 8TH ED. (2023) FBC	LMH	12/04/2023
.	.	.	.
.	.	.	.
.	.	.	.



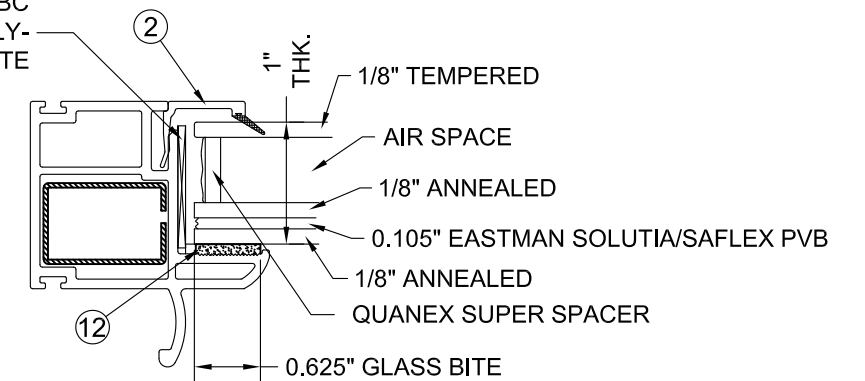
□ □ □ INSTALLATION HOLE PRE-DRILLED BY MANUFACTURER

**1X ANCHOR LAYOUT - 07-09 RETRO / 07-10 FLANGE  
113" x 63" HORIZONTAL SLIDING WINDOW (XOX)-EQ**



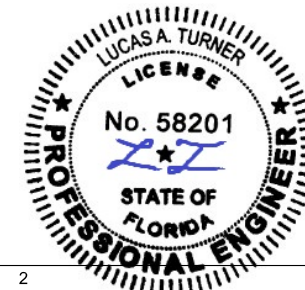
**SECTION A-A  
L-BRACKET DETAIL IN HEAD  
BRACKET AND HARDWARE ANCHOR SUPPLIED BY MANUFACTURER, INSTALLED IN FIELD.**

SETTING BLOCKS PER FBC SECT. 2411.3.3.1, POLY-ETHYLENE, MIN. 2 PER LITE



**GLAZING DETAIL  
WITH SOLUTIA/SAFLEX LAMINATE**

**NOTES:**  
1. WHEN ANCHORING WINDOW TO A 1X WOOD BUCK AND MASONRY/CONCRETE, USE 3/16"Ø ITW TAPCON ANCHORS OF SUFFICIENT LENGTH TO ACHIEVE 1" MINIMUM EMBEDMENT INTO THE MASONRY/CONCRETE.



12/04/2023  
LUCAS A. TURNER, P.E.  
FL PE # 58201  
TURNER ENGINEERING & CONSULTING, INC.  
(COA # 29779)  
2428 OLD NATCHEZ TRACE  
TRAIL, CAMDEN, TN 38320  
PH. 941-380-1574

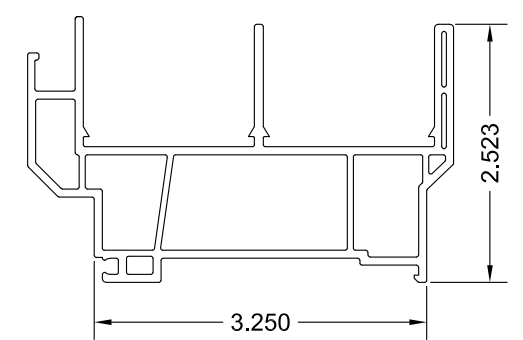
	SIZE: DRAWING NO.:	REV.:
	B DA0015	2
1 Cochrane Avenue Pennsboro, WV 26415	DRAWN BY:	DATE:
	LMH	02/01/17
SCALE: FIT	CHECKED BY:	DATE:
SHEET: 4 of 5	APPR'V'D BY:	DATE:
SERIES: STORMBREAKER PLUS 300VL 3-LITE END VENT SLIDER - 1X		
TITLE: ANCHORING LOCATIONS & GLAZING DETAILS - AS TESTED		



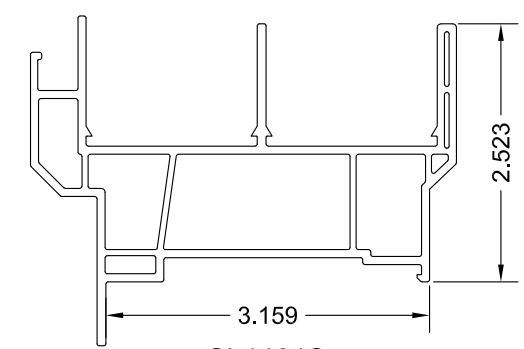
BILL OF MATERIALS

ITEM #	DESCRIPTION	MANUFACTURER
1a	SL0901S VINYL FRAME (HEAD/JAMB/SILL)	SIMEX, INC.
1b	SL1101S VINYL FRAME WITH FLANGE	SIMEX, INC.
2	BV18 VINYL GLAZING BEAD FOR 1" I.G.U.	SIMEX, INC.
3	SL75S VINYL COMMON SASH	SIMEX, INC.
4	SL74S VINYL KEEPER SASH	SIMEX, INC.
5	SL77S VINYL LOCK STILE	SIMEX, INC.
6	SL79S VINYL PULL STILE	SIMEX, INC.
7	V355 VINYL SILL TRACK INSERT	SIMEX, INC.
8	6063-T5 ALUMINUM L-BRACK (HEAD/SILL)	TRUTH
9	SIMRECT1 GALVANIZED STEEL REINFORCEMENT	HYGRADE
10	ST-336/ST-339 GALVANIZED STEEL REINFORCEMENT	HYGRADE
11	ST-337/ST-338 GALVANIZED STEEL REINFORCEMENT	HYGRADE
12	896-HIS GLAZING COMPOUND	PECORA
13	OFFSET FINSEAL WEATHERSTRIPPING	AMESBURY
14	0.250" FINSEAL WEATHERSTRIPPING	AMESBURY
15	0.340" FINSEAL WEATHERSTRIPPING	AMESBURY
16	0.460" FINSEAL WEATHERSTRIPPING	AMESBURY
17	PRESS FIT BUMPER STOPS	KASO
18	8" ALUMINUM SUPPORT BRACKET - HEAD	SHAPES UNLIMITED

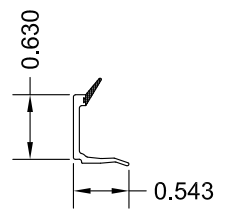
REV. #:	REVISIONS:	REVISED BY:	DATE:
1	UPDATED FOR 7TH ED. (2020) FBC	LMH	11/05/2020
2	UPDATED FOR 8TH ED. (2023) FBC	LMH	12/04/2023
.	.	.	.
.	.	.	.



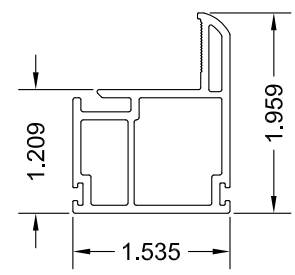
1a SL0901S  
HORIZONTAL ROLLER FRAME  
0.079" EXT. WALL THK.  
0.060" INT. WALL THK.



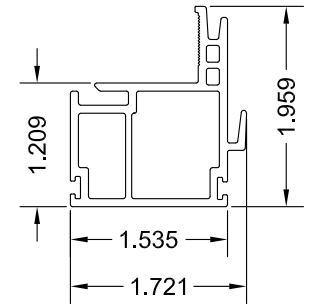
1b SL1101S  
HORIZONTAL ROLLER FRAME WITH FLANGE  
0.079" EXT. WALL THK.  
0.060" INT. WALL THK.



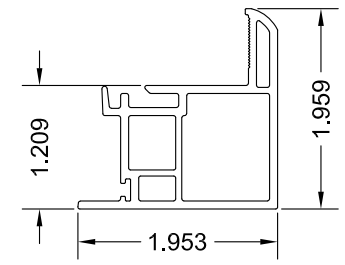
2 BV18  
GLAZING BEAD  
0.059" WALL THK.



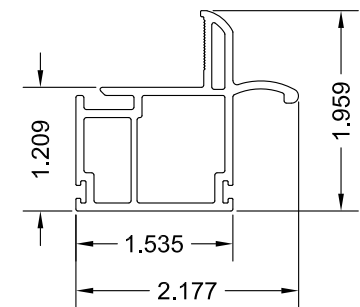
3 SL75S  
COMMON SASH  
0.079" EXT. WALL THK.  
0.059" INT. WALL THK.



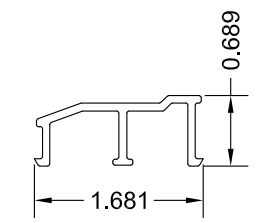
4 SL74S  
KEEPER SASH  
0.079" EXT. WALL THK.  
0.059" INT. WALL THK.



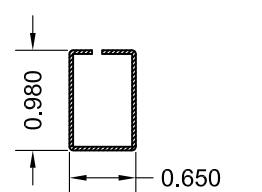
5 SL77S  
LOCK STILE  
0.079" EXT. WALL THK.  
0.059" INT. WALL THK.



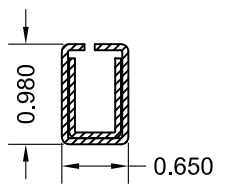
6 SL79S  
PULL STILE  
0.079" EXT. WALL THK.  
0.059" INT. WALL THK.



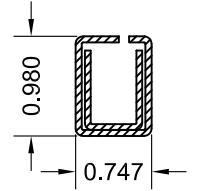
7 V355  
TRACK INSERT  
0.079" WALL THK.



9 SIMRECT1  
RAIL/STILE REINFORCEMENT  
0.036 GALV. STEEL



10 ST-336/ST-339  
KEEPER STILE REINFORCEMENT  
0.060 GALV. STEEL



11 ST-337/ST-338  
LOCK STILE REINFORCEMENT  
0.060 GALV. STEEL



13 OFFSET FINSEAL  
WEATHERSTRIPPING



14 0.250" FINSEAL  
WEATHERSTRIPPING



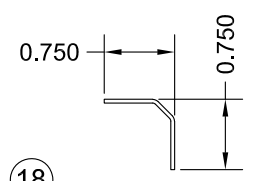
15 0.340" FINSEAL  
WEATHERSTRIPPING



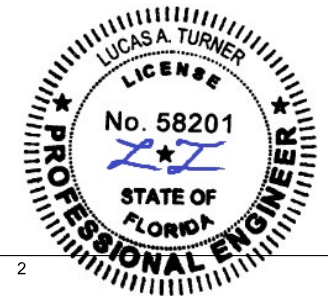
16 0.460" FINSEAL  
WEATHERSTRIPPING



17 SX20113  
PRESS FIT BUMPER  
STOPS



18 CM0220  
ALUMINUM HEAD  
SUPPORT



12/04/2023  
LUCAS A. TURNER, P.E.  
FL PE # 58201  
TURNER ENGINEERING &  
CONSULTING, INC.  
(COA # 29779)  
2428 OLD NATCHEZ TRACE  
TRAIL, CAMDEN, TN 38320  
PH. 941-380-1574

	SIZE: B	DRAWING NO.: DA0015	REV.: 2
	DRAWN BY: LMH	DATE: 02/01/17	
1 Cochrane Avenue Pennsboro, WV 26415	CHECKED BY:	DATE:	
SCALE: FIT	SHEET: 5 of 5	APPR'VD BY:	DATE:
SERIES: STORMBREAKER PLUS 300VL 3-LITE END VENT SLIDER - 1X	TITLE: BILL OF MATERIALS AND COMPONENTS		